



D.E.C.T 705

Digital Enhanced Cordless Telecommunications

Video Wireless Access!



Handsfree
wall/desk
mount option



Cordless
handset
option

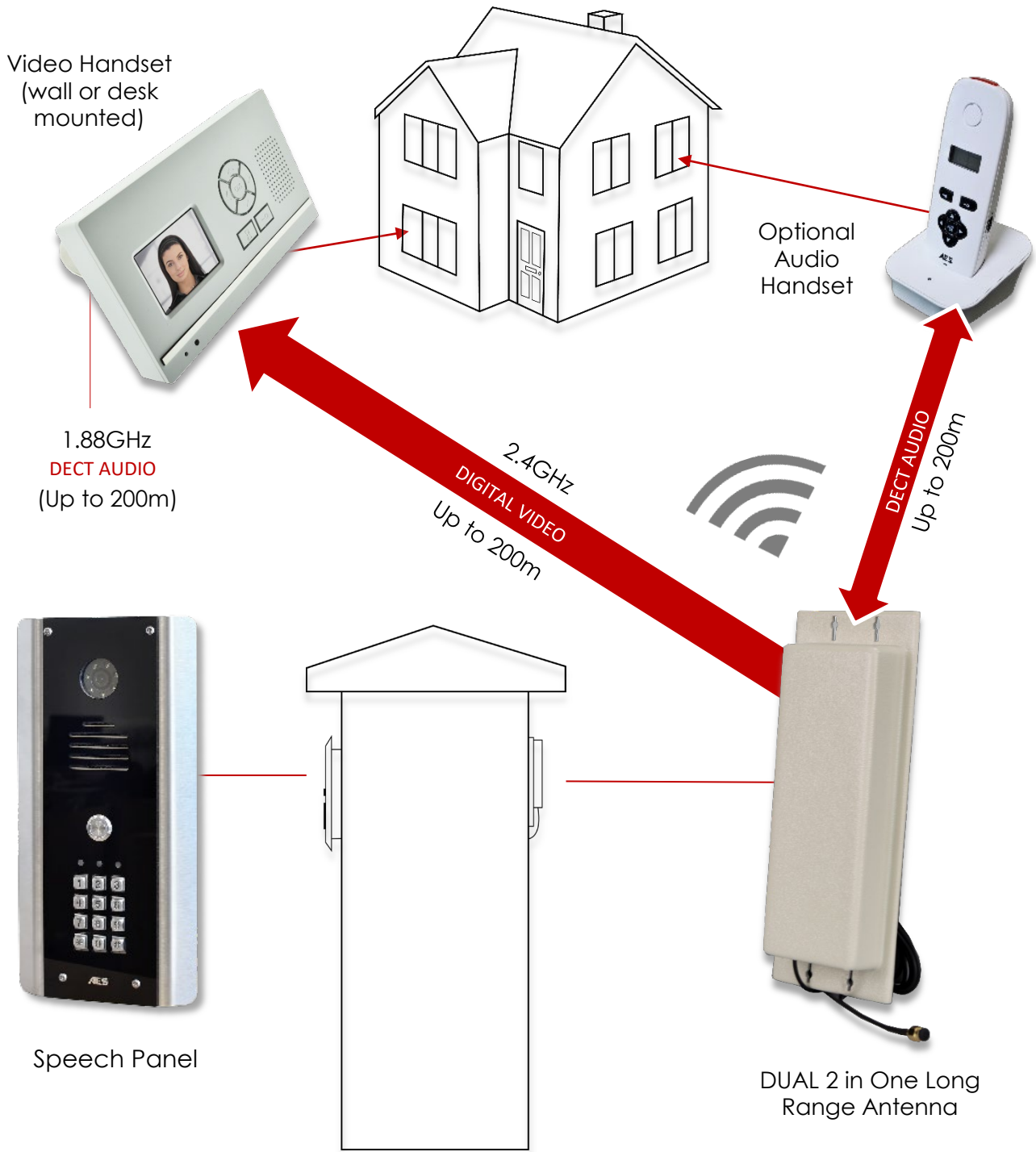


Antenna

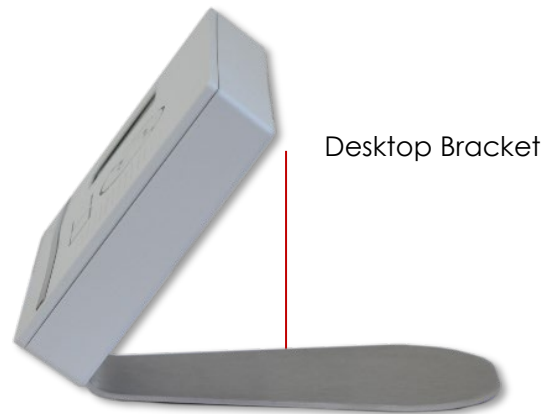
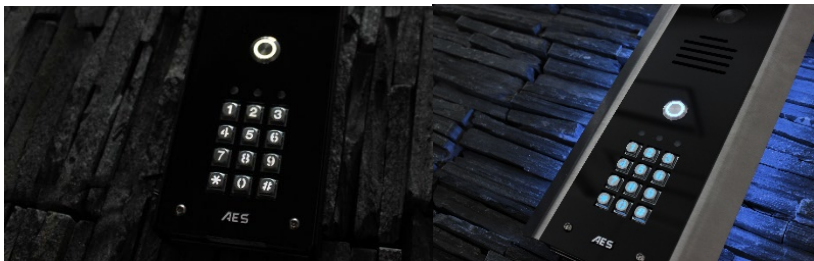
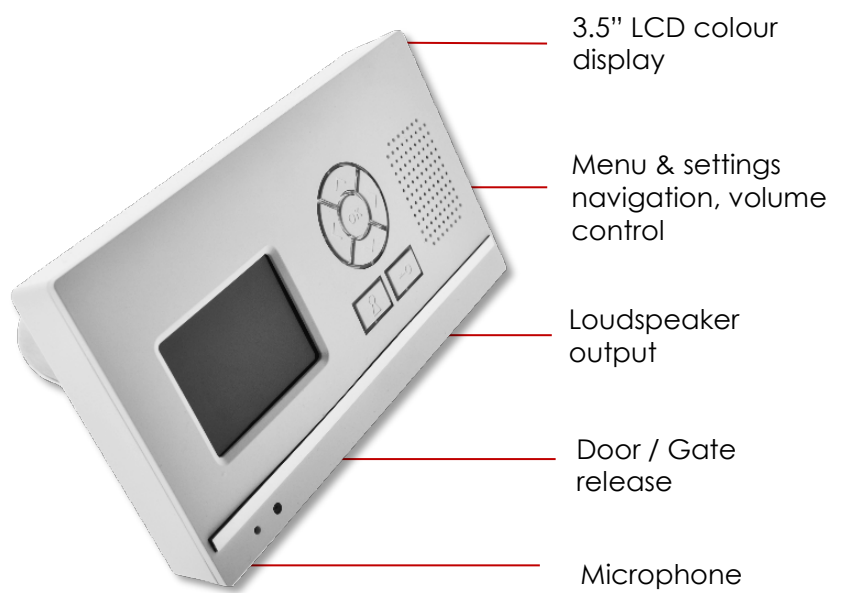


High quality
speech panel
options

- Wireless video intercom system for gates.
- Longest range Rf video intercom in the world, working range 200 metres (450m open field).
- Unique technology combining 2.4GHz digital & DECT 1.88GHz digital signals.
- Colour camera with infrared night vision capability.
- Long range antenna as standard.
- Gate / Door release relay built in.
- Optional keypad for access control.



- Dual technology using 2.4GHz digital spread spectrum for one way video and two way DECT digital 1.88GHz for voice, giving world leading range capability.
- Add up to a total of 3 audio handsets to compliment the main video handset.
- Voicemail feature built in.



Technical Details

Power Supply	24v dc (24v dc 2A adaptor included)	Handset Battery	Lithium Ion mobile phone battery
Current Consumption	50mA standby, 1Amp calling	Night Vision	Yes, by infrared illumination
Relay Outputs	1	Battery Life	24 hours between charges
Relay Type	N/O & N/C contacts	Charging Voltage	5v dc (5v dc adaptor included)
Relay Time	Fixed 4 seconds	Keypad Option	Yes
Relay Load	2A 24v AC max	Keypad Relays	3
IP Rating	IP55	Keypad Codes	1200 (total count across 3 separate relays)
Camera	Colour, 80 degree viewing angle		



705-HF-AB (Standard Architectural Model)



705-AB (Standard Architectural Model)



- Stylish curved architectural model (non Keypad).
- Modern blue back lighting effect.
- BS316 marine grade, brushed stainless steel construction with gloss acrylic trim.
- Kit includes speech panel, antenna, power supply, desktop/wall mounted monitor OR Portable Handset and install manual.

705-HF-ABK (Architectural Model with Keypad)



705-ABK (Architectural Model with Keypad)



- Stylish curved architectural model (with Keypad).
- Modern blue back lighting effect.
- BS316 marine grade, brushed stainless steel construction with gloss acrylic trim.
- Kit includes speech panel, antenna, power supply, desktop/wall mounted monitor OR Portable handset and install manual.



705-HF-IMP (Standard Imperial Model)



705-IMP (Standard Imperial Model)



- Sleek, all black call point (non keypad).
- BS316 marine grade, powder coated aluminium hood and black toughened acrylic faceplate trim.
- Kit includes speech panel, antenna, power supply, desktop/wall mounted monitor OR Portable Handset and install manual.

705-HF-IMPK (Imperial Model with Keypad)



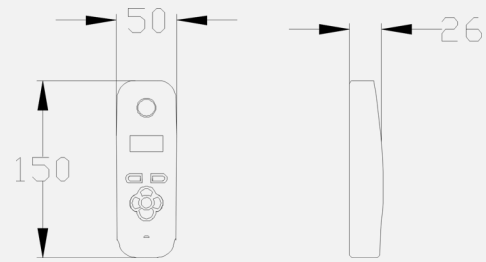
705- IMPK (Imperial Model with Keypad)



- Sleek, all black call point (with keypad).
- BS316 marine grade, powder coated aluminium hood and black toughened acrylic faceplate trim. With keypad.
- Kit includes speech panel, antenna, power supply, desktop/wall mounted monitor OR Portable Handset and install manual.



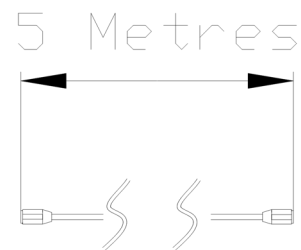
705-EH (Extra Handset)



Add up to 3 additional audio handsets to any 705 video kit as additional slave handsets.

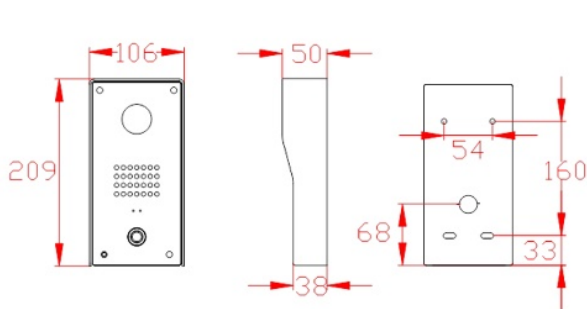
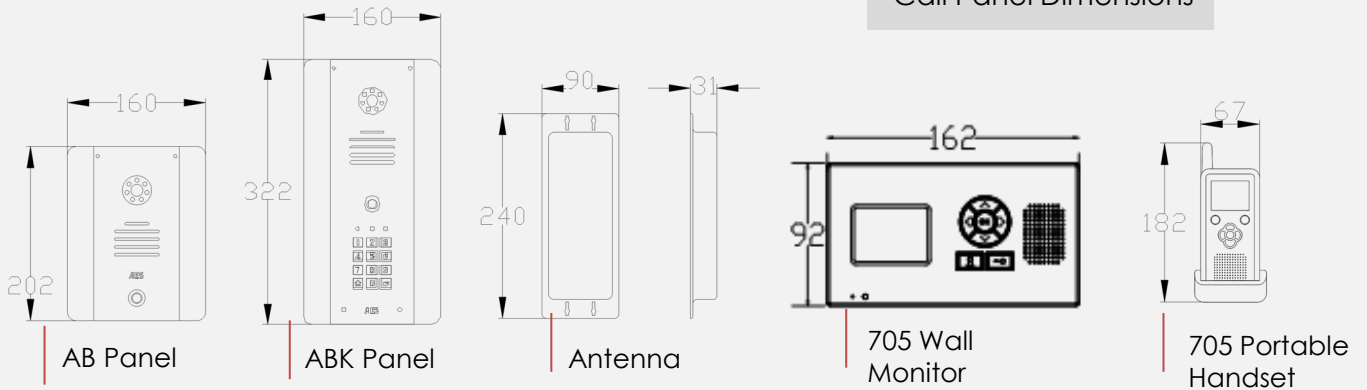
(Note: this is same handset used for 603 kits).

705-AC5 (Antenna Cable)

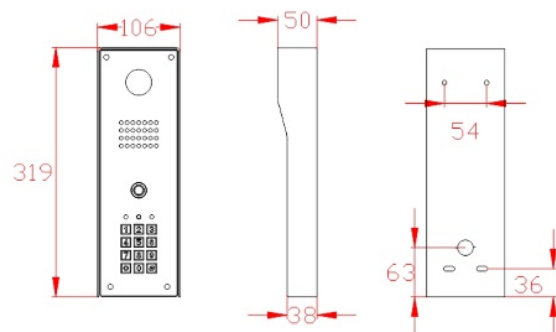


- Antenna extension cable kit.
- Complete with SMA male – female couplings.
- 2x5 metres long to extend antenna height or location to achieve better results.

Call Panel Dimensions



IMP Panel



IMPK Panel